

SIZE 80MM & 150MM FOR OIL FILLED DISTRIBUTION AND POWER TRANSFORMERS.

### Features

- ⇒ Die Cast Aluminum body.
- ⇒ Automatic and instantaneous venting and sealing.
- ⇒ IP 67 protection for switch.
- ⇒ Unique spring retaining at Top and Bottom.
- ⇒ 100% operation test for each Relief Valve.
- ⇒ Springs specially coated to prevent corrosion.
- ⇒ Electrostatic powder coated Cover encloses the operating System.
- ⇒ Switch with 1NO + 1NC contacts with operation Indication Flag. Optionally switch with 2NO + 2NC contacts can be supplied against specific request.
- ⇒ Fully Shrouded Design with directed oil flow can prevent oil Spillage on equipment and there by limit secondary damage
- ⇒ Clearly visible RED flag indicator integrated with the switch.
- ⇒ Improved environmental protection with directed flow for easy Clean up.



**PRV-80mm**



**PRV-150mm**

### Additional Advantages

- ⇒ Reduce Environmental impact and Clean up.
- ⇒ Protect workers and assets from dangerous oil Exhaust.
- ⇒ Corrosion resistant construction
- ⇒ Highly flexible Installation.
- ⇒ No Part of the Pressure Relief valve project inside the Transformer tank.

PRV is a mechanical over Pressure protection device with integrated directional discharge Outlet. Provides Pressure relief and insulating fluid containment (requires Piping) on transformer during over pressure conditions. Automatically resets once the pressure has fallen. Larger diameter throat and discharge outlet for increased flow. Improved environmental protection with directed flow for easy cleans up! Customers can connect the oil discharge Piping to take away the oil pits / sump to limit damage due to splashed oil may add to the fire. The safety valves may be mounted near to the point where a failure is most likely to occur.

When Pressure in the tank rises above the set limit, the operating disc moves upwards from bottom Gasket. This Exposes the transformer pressure to a greater area corresponding to the diameter of side gasket resulting in sudden increase of force. The disk lifts instantaneously and vents gases, vapor and liquid till the pressure falls.

### General

Transformer Designers generally prefer the following application method, though no definite guidelines exist.

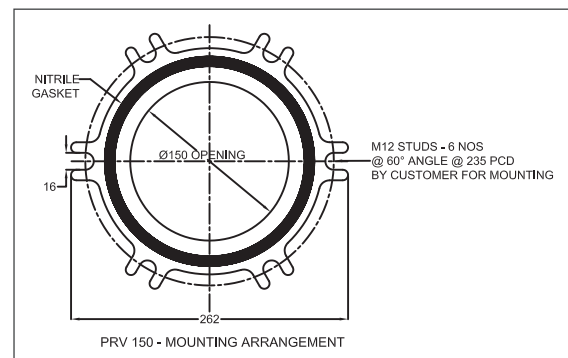
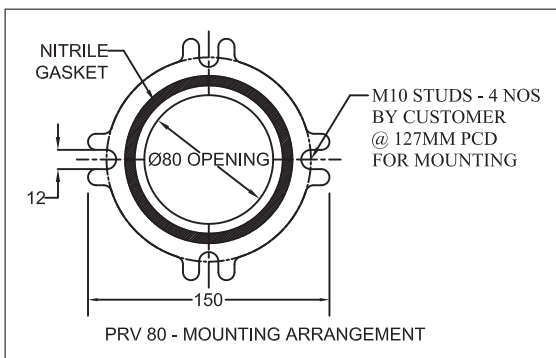
- 80mm PRV upto 9000 Liters of Oil in transformer tank.
- 150mm PRV above 9000 to below 25000 Liters of oil in transformer tank.
- Above 25000 liters of oil in transformers, designers generally prefer to use 2 No's of 150mm PRV.
- The Number & Positions of the PRV's is best decided by the transformer designers based on his design/ experiences

## Technical Specifications

Liquid in Tank	Transformer Oil
Tank Opening	150mm for Model 1090-150 80mm for Model 1090-80
Operating Pressure Range	0.35 to 0.7 kg/Cm <sup>2</sup>
Operating Temperature	0 to 100Deg ( Of Oil Temperature)
Operating Tolerance	±0.07 kg/ SqCm
Port Opening	150mm Dia for Model 1090-150 80mm Dia for Model 1090-80
Positioning of the oil discharge Mouth	Discharge mouth can be rotated by 360 Deg in Discrete steps
Switching Resetting	Manually Reset

## SWITCH SPECIFICATIONS:

S. No	Parameter	Specification	S. No	Parameter	Specification
1	Number of switch	One Limit switch	6	Insulation Voltage	600V AC
2	Operation	Automatic	7	Contacts Type	1NO+1NC/ 2NO+2NC (optional)
3	Utilization Cate-gory	AC 15, DC 13 as per IEC 947-5-1 IS-13947/pt-5sec 1 of 2004	8	Weather protection	IP 67
4	Thermal Current	lth10A	9	Cable entry	3/4" Cable Gland
5	Contact rating	AC 15 Rating: 6A @ 110V, 3A @ 220V, 1.5A @ 400V, 1.2A @ 550V. DC 13 Rating: 0.2A @ 110V, 0.1A @ 220V (OR) OPTIONAL SWITCH WITH RATING 10A @ 125V, 250V OR 300V AC 0.8A @ 125 VDC, 0.4A @250VDC, 0.1A @ 600VDC			



## MODEL: 1090

## SIZE: 1" B.S.P MALE

### APPLICATION:

PRD is a safety device for the distribution transformer up to 5000KVA, OLTC and other similar equipments. This PRD is used to prevent heavy damages of the tank in case of sudden rise of internal pressure.

### OPERATING PRESSURE :

Operating Pressure range available from 0.35 to 0.7 kg/sq.cm with tolerance ±0.07 kg/sq.cm.

## General Features

- Safe spring loaded design that does not require external power supply for operation
- Positive downward directional flow limits horizontal spraying of hot oil on adjacent equipment
- Large diameter top cover with improved operating force providing better protection
- Transport safety clip to prevent oil spillage during transportation of oil filled transformers
- Construction is brass body

Disclaimer : Precimeasure reserves the right to make any changes in the specification without prior notice.

## PRESSURE RELIEF DEVICE

